

MUSTAFA YONTAR A.Ş.



KPM 1036

CONCRETE BLOCKMAKING MACHINE

MUSTAFA YONTAR A.Ş.

- KPM 1036 is a fully automatic multi-layer concrete blockmaking machine.
- It produces every sort of concrete pavingstone, grass stones, kerbstones, rain gutter stones, briquettes etc.
- System operation is programmed via a PLC microprocessor computer
- Produces blocks and puts them on wooden pallet. 8-cm stones are put into 8 rows; 6-cm stones are put into 10 rows.
- Mould effective area allows producing 1m² of blocks per one stamp time.
- Thin mortar station is designed to be movable by means of motor.
- Vibrator motors are equipped with brake electronic system.
- Machine trays are moved by hydraulic system
- It is equipped with two sand depot bunkers, which are suitable for pneumatic sand feeding.
- Thick mortar bunker is equipped with air blowing pneumatic scratchier.

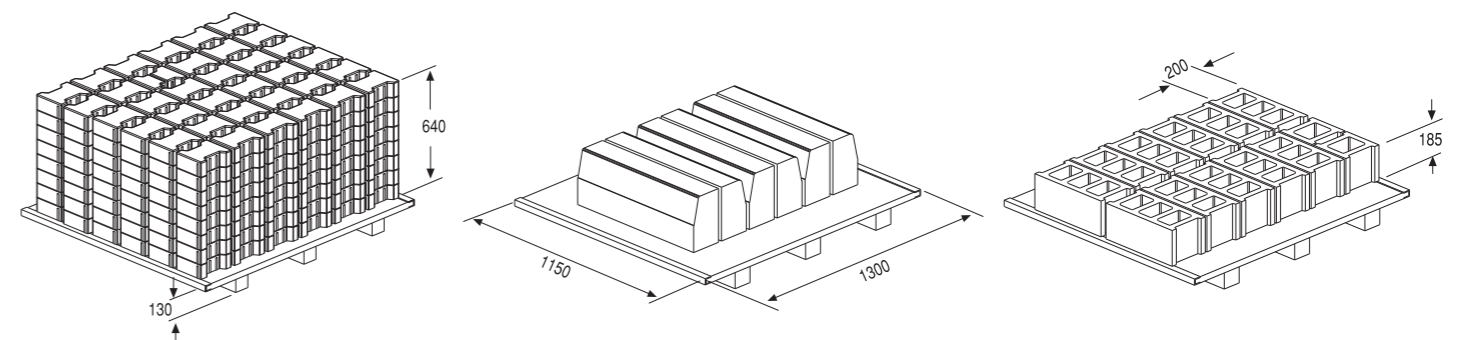


KPM 1036 FULLY AUTOMATIC CONCRETE BLOCKMAKING MACHINE

KPM 1036 Fully Automatic Blockmaking Machine	technical data
Type of Operation	Fully Automatic
Machine Dimensions	
Max. Length	16000 mm
Max. Width (*)	7000 mm
Max. Height (**)	4400 mm
Max. Product Height	400 mm
Min. Product Height	50 mm
Max. Products Number on one Pallet	80 mm- 8 Rows, 60 mm- 10 Rows
Pallet Size	1300 x 1150 x 130 mm
Effective Mould Area	1260 x 1110 mm
Number of Hydraulic Pumps	(4+1) 5 pcs.
Hydraulic Pumping Flow Rate	135 litres / sec
Average Hydraulic Pressure	180 bar
Hydraulic Tank Capacity	1400 litres
Cycle Time	26 ÷ 32 sec
Mortar Bunker Capacity	2 x 2000 litres
Number of Bottom Vibrators	2 pcs
Number of Top Vibrators	4 pcs
Total Electric Motor Power	86.5 kW

(*) - Width, including control panels
 (**) - When machine platforms are lifted

- High quality is always sought in the equipment employed in the hydraulic system of the machine.
- The hydraulic system is equipped with proportional valves. Thus speed of all the cylinders and of the required cylinder may be operated from the control panel.
- By means of built-in heater and cooler, fed by 4 pumps, unit temperature is regularly controlled.



MUSTAFA YONTAR A.Ş.

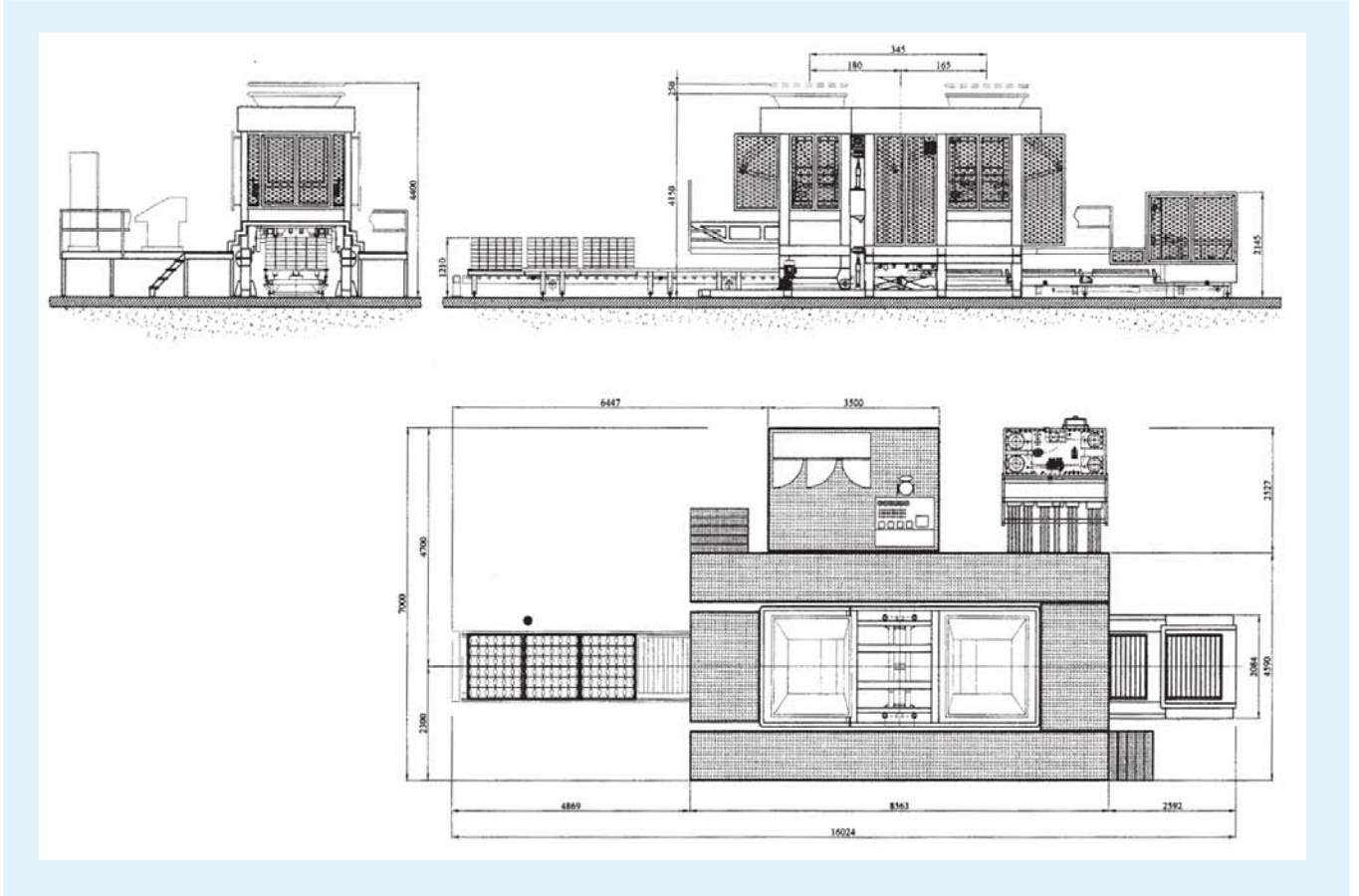
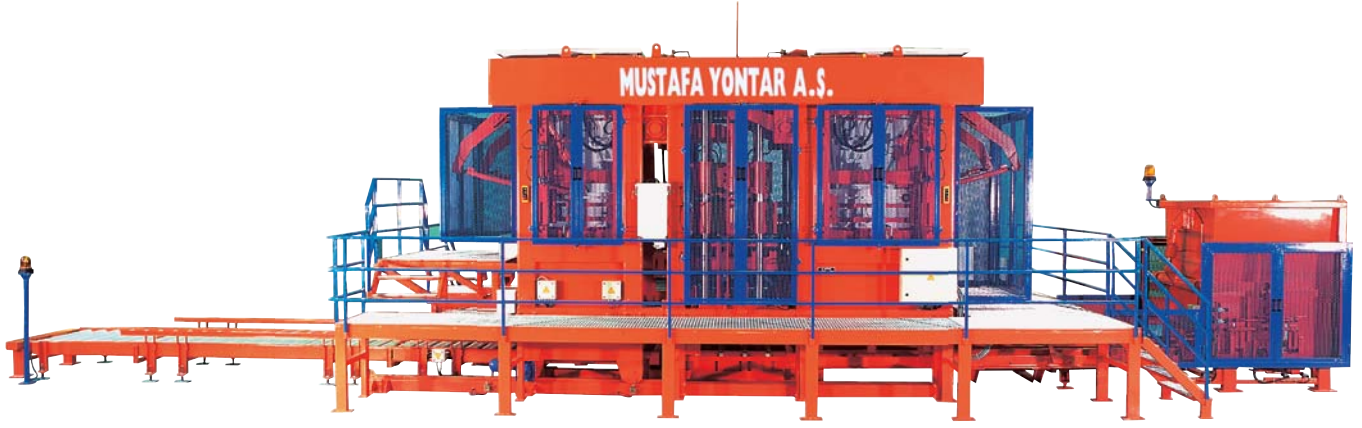
**KPM 1036 FULLY AUTOMATIC
CONCRETE BLOCKMAKING MACHINE**



MUSTAFA YONTAR A.Ş.

**KPM 1036 FULLY AUTOMATIC
CONCRETE BLOCKMAKING MACHINE**





Orhan Gazi Mahallesi, Sanayi Caddesi No:11 34538 Esenyurt / İSTANBUL-TURKEY
(Tem Otoyolu, Hadımköy Gişeleri Mevkii)

Tel : +90 212 623 21 21 Pbx Fax : +90 212 623 21 22 Fax : +90 212 623 21 23

e-mail : yontar@mustafayontar.com.tr web : www.mustafayontar.com.tr

